

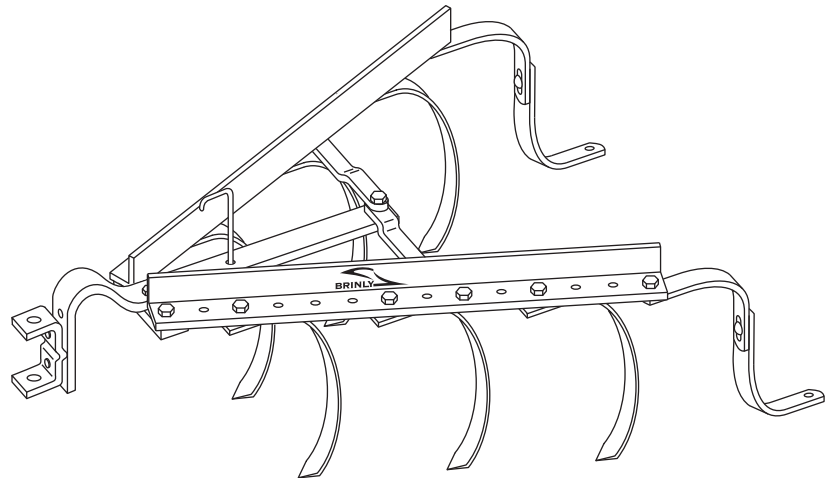
Owner's Manual

CULTIVATOR

MODEL:

CC-560

- Assembly
- Operation
- Repair Parts



For use with Garden Tractors. A Sleeve Hitch Accessory is required for operation. Wheel weights and chains are also recommended.

▲ IMPORTANT This manual contains information for the safety of persons and property. Read it carefully before assembly and operation of the equipment!

For the latest product updates and setup tips:

Visit us on the web!
www.brinly.com

INTRODUCTION

CONGRATULATIONS on the purchase of your new Brinly-Hardy Cultivator! Your cultivator is designed, engineered and manufactured to give you the best possible dependability and performance.

CUSTOMER RESPONSIBILITIES

Please read and retain this manual. The instructions enables you to assemble and maintain your lawn aerator properly. And please, always observe the "Safety" instructions.

TABLE OF CONTENTS

SAFETY/OPERATION/MAINTENANCE	2-3
PARTS BREAKDOWN	4
ASSEMBLY	5-7
WARRANTY	8

PRODUCT COMPATIBILITY

This cultivator is designed for use with garden tractors equipped with a sleeve hitch. It may be used to cultivate a wide range of garden vegetables or field crops. It can be set up for straddle-row and/or between-row cultivation.

RECORD PURCHASE INFORMATION

Record your purchase information in the spaces provided below:

DATE OF PURCHASE:

COMPANY NAME:

COMPANY PHONE:

SERIAL NUMBER:

SAFETY/OPERATION/MAINTENANCE

TO HELP PREVENT BODILY INJURY DUE TO LOSS OF STABILITY OR CONTROL:

- Do not exceed maximum capacity of towing vehicle listed in the vehicle operator's manual.
- Towing this machine behind a ZTR (Zero Turning Radius) mower is not recommended due to the sharp turning ability of the ZTR. Damage to this machine or the ZTR may result. ZTR's typically operate at higher speeds. Operating above 5 mph may result in damage to this machine.

SAFETY

Read the general safety operating precautions in your towing vehicle operator's manual for additional safety information.

PROTECT BYSTANDERS

- Keep bystanders away when you operate this machine.
- Before you back look carefully behind for bystanders.
- Before you operate any feature of this machine, observe your surroundings and look for bystanders.

SAFETY/OPERATION/MAINTENANCE

OPERATE SAFELY

- Use this machine for intended purpose only.
- Speed should always be slow enough to maintain control. Travel slowly over rough ground.
- Do not let children or an untrained person operate machine.
- Do not let anyone, especially children, ride on this machine or the towing vehicle.
- Check towing vehicle brake action before you operate. Adjust or service brakes as necessary.
- Keep all parts in good condition and properly installed. Fix damaged parts immediately. Replace worn or broken parts. Replace all worn or damaged safety and instruction decals.
- Do not modify the machine or safety devices. Unauthorized modifications to the towing vehicle or machine may impair its function and safety, and void the warranty.
- Keep all nuts, bolts and screws tight.
- Excessive load can cause loss of traction and loss of control on slopes. Reduce weight when operating on slopes.
- Use only approved sleeve hitches. Do not attach this machine except at the approved hitch point.
- Follow the manufacturer's recommendations for weight limits for towed equipment and using on slopes. Use counterweights, wheel weights, or chains as described in the towing vehicle operator's manual.
- Do not shift to neutral and coast downhill.

KEEP RIDERS OFF TOWED ATTACHMENT

- Keep riders off towed attachment.
- Riders on an attachment are subject to injury, such as being thrown off the attachment during sudden starts, stops and turns.
- Riders obstruct the operator's view, resulting in the attachment being used in an unsafe manner.
- Keep riders off of tow bar.

KEEP BODY PARTS FROM UNDER TOW BAR

Before disconnecting this machine from towing vehicle hitch:

- Stop on level ground.
- Stop towing vehicle engine.
- Lock towing vehicle park brake.
- Block wheels of the machine.
- Make sure body parts are not under tow bar.

OPERATION

- Cultivate at a slow tractor speed.
- Additional weight is not normally required for cultivating light soil. However, it is necessary when soil is heavy, crusted, and/or thickly weeded, in order to improve the cultivator's penetration and stability.
- See Figure 6 for instructions on attaching concrete block as additional weight.
- Cultivating depth can be controlled by use of the adjustable Gauge Shoes (7).

MAINTENANCE

- The key to years of trouble-free service is to keep your Cultivator clean and dry.
- Never allow wet material to remain on Cultivator for extended periods of time.
- For rust on Gauge Shoes (7) and Spring Shanks (6) apply a light coat of oil. For rust on rest of Cultivator, sand and apply a light coat of enamel paint.
- Periodically check all fasteners for tightness.

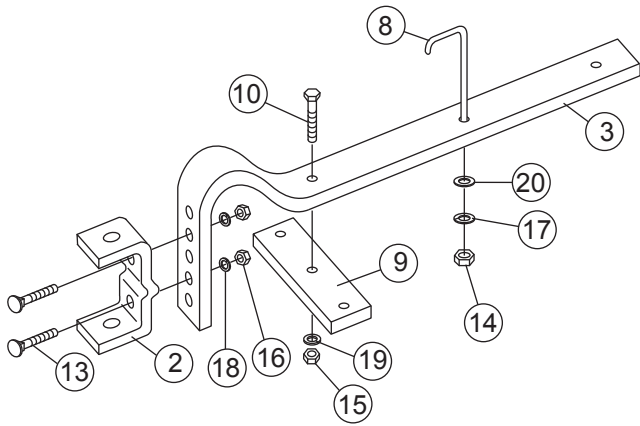
QUALITY CONTINUES WITH QUALITY SERVICE

We provide a process to remedy your questions or problems.

Follow the steps below to get answers to any questions you may have about your product, or to order replacement parts:

1. Refer to your attachment and machine operator manuals.
2. In North America and Canada, call 1-877-728-8224 and provide product serial number and model number.

PARTS BREAKDOWN

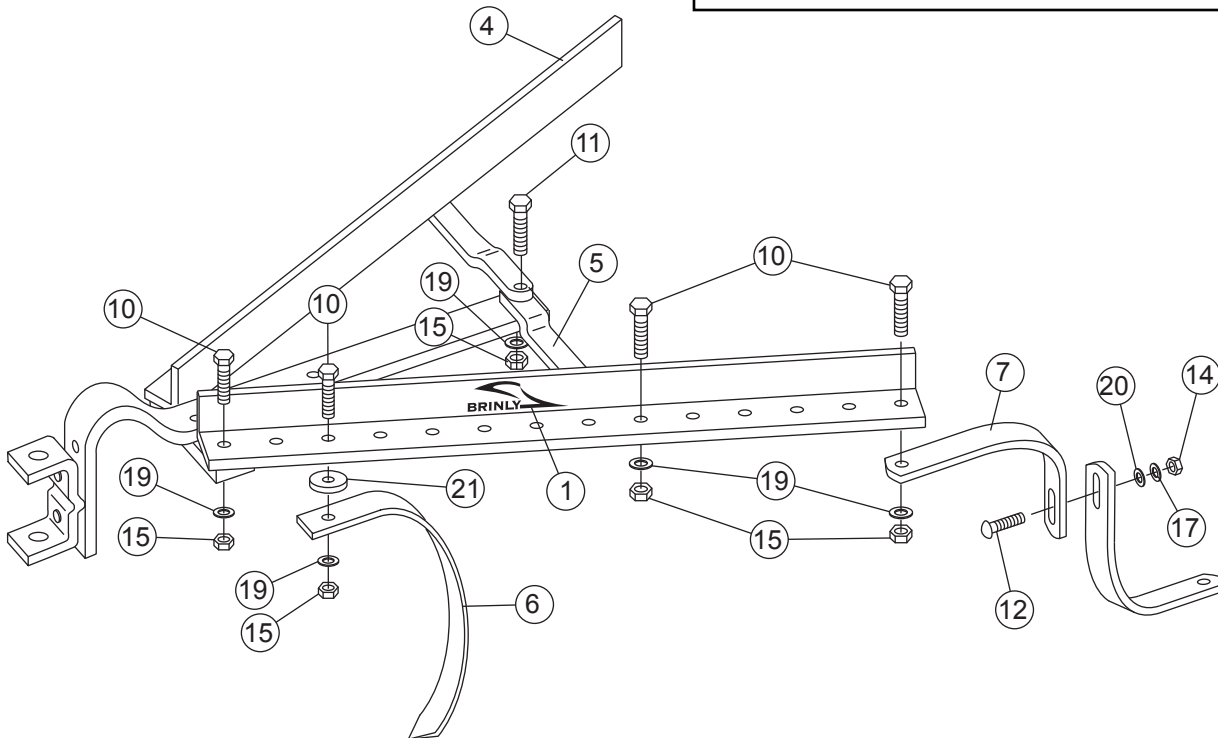




Installation Questions?
Missing Parts?
Replacement Parts?

**DON'T GO BACK
TO THE STORE!**

Please call Customer Service
Department Toll Free
877.728.8224 or
customerservice@brinly.com



ITEM NO.	DESCRIPTION	PART NO.	QTY.
1	Brinly Decal	B-5922	1
2	Hitch Bracket	C-362-10	1
3	Pull Bar	C-363-10	1
4	Frame Angle	1007075-10	2
5	Frame Tie Bar	C-365-10	2
6	Spring Shank	C-352-10	7
7	Gauge Shoe Half	C-367-10	4
8	Rod Tie-Down	C-368	1
9	Tie Strap	C-369-10	1
10	Hex Bolt 1/2 x 1-1/2"	2M1624P	13
11	Hex Bolt 1/2" x 2"	2M1632P	1
12	Carriage Bolt 3/8" x 1"	11M1216P	2

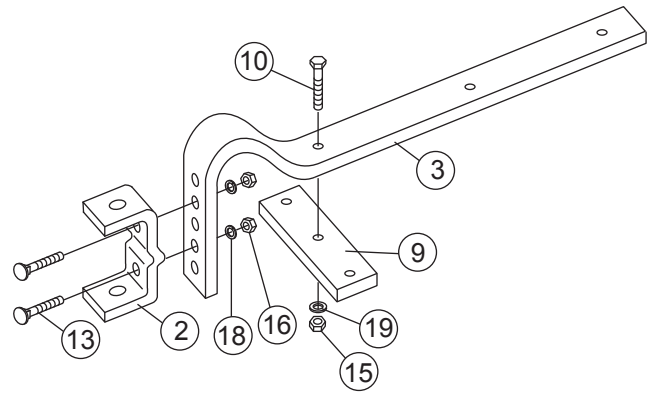
ITEM NO.	DESCRIPTION	PART NO.	QTY.
13	Plow Bolt 7/16" x 1-3/4"	15M1428P	2
14	Hex Nut 3/8"	30M1200P	3
15	Hex Nut 1/2"	30M1600P	14
16	Hex Nut 7/16"	30M1400P	2
17	Lockwasher 3/8"	40M1200P	3
18	Lockwasher 7/16"	40M1400P	2
19	Lockwasher 1/2"	40M1600P	14
20	Flat washer 3/8"	45M1313P	3
21	Special Spacer	B-723P	7

Figure 1

HITCH BRACKET AND TIE STRAP ASSEMBLY

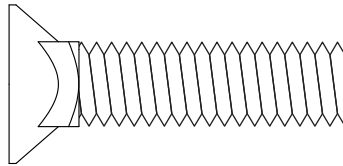
TOOLS REQUIRED:

- 9/16" Wrench (1)
- 3/4" Wrench (2)
- 11/16" Wrench (1)



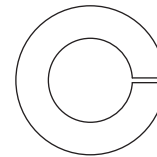
1a. Loosely assemble Hitch Bracket (2) to Pull Bar (3) using Plow Bolts (13), 7/16" Lockwashers (18), and 7/16" Nuts (16) as shown. DO NOT TIGHTEN.

NOTE: It is important to orient Plow Bolts in direction shown.



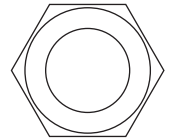
(13)

Plow Bolt, 7/16" x 1-3/4"
Qty. 2



(18)

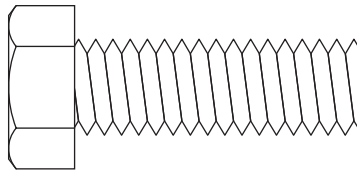
Lockwasher, 7/16"
Qty. 2



(15)

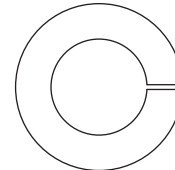
Nut, 7/16"
Qty. 2

1b. Assemble Tie Strap (9) to Pull Bar (3) using 1/2" x 1-1/2" Bolts (10), 1/2" Lockwashers (19), and 1/2" Nuts (15).



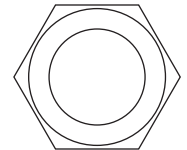
(10)

Bolt, 1/2" x 1-1/2"
Qty. 1



(19)

Lockwasher, 1/2"
Qty. 1



(15)

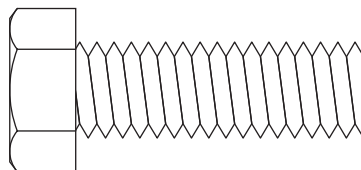
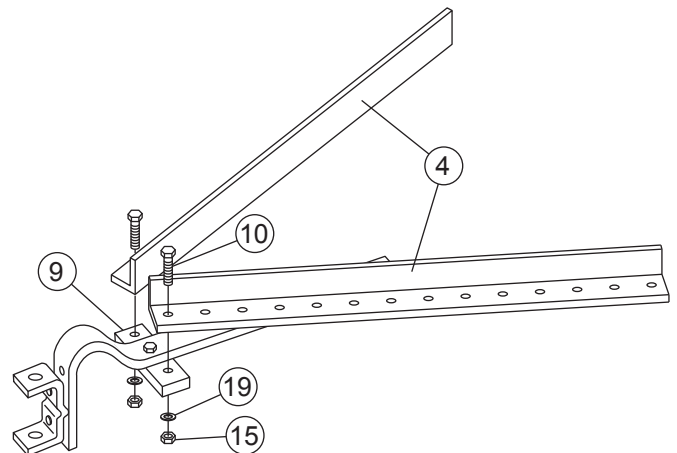
Nut, 1/2"
Qty. 1

Figure 2

TIE STRAP/FRAME ANGLE ASSEMBLY

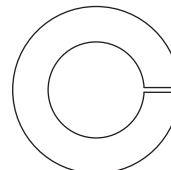
2a. Assemble Frame Angles (4) to Tie Strap (9) using 1/2" x 1-1/2" Bolts (10), 1/2" Lockwashers (19), and 1/2" Nuts (15).

Snug but do not fully tighten at this time.



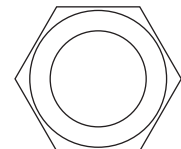
(10)

Bolt, 1/2" x 1-1/2"
Qty. 2



(19)

Lockwasher, 1/2"
Qty. 2



(15)

Nut, 1/2"
Qty. 2

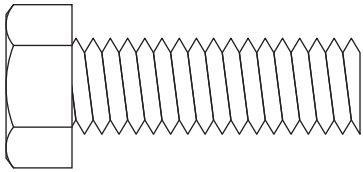
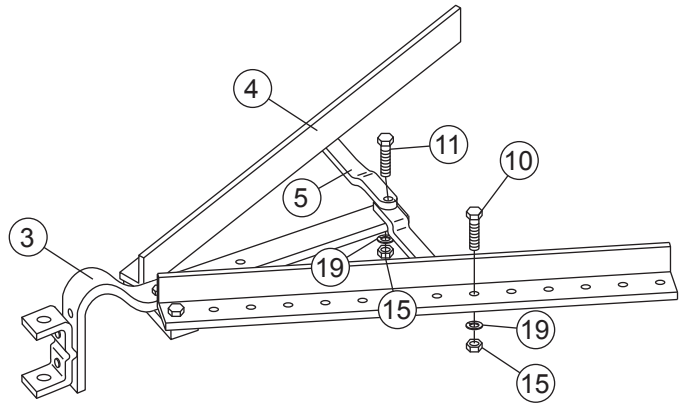
ASSEMBLY

Figure 3 **FRAME TIE BAR ASSEMBLY**

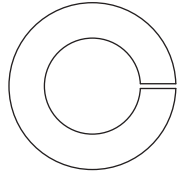
3a. Assemble Tie Bars (5) to Frame Angles (4) using 1/2" x 1-1/2" Bolts (10), 1/2" Lockwashers (19), and 1/2" Nuts (15).

3b. Assemble Tie Bars (5) to Pull Bar (3) using 1/2" x 2" Bolt (11), 1/2" Lockwasher (19), and 1/2" Nut (15).

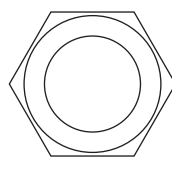
3c. Tighten hardware from Step 2a.



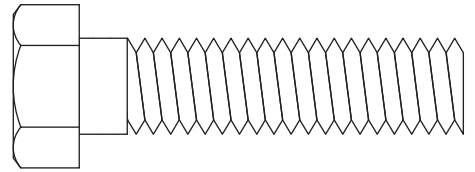
(10)
Bolt, 1/2" x 1-1/2"
Qty. 2



(19)
Lockwasher, 1/2"
Qty. 3



(15)
Nut, 1/2"
Qty. 3



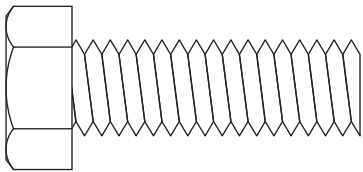
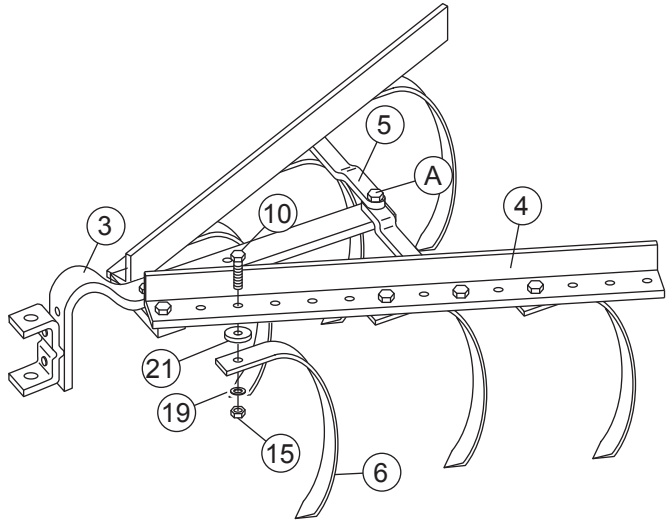
(11)
Bolt, 1/2" x 2"
Qty. 1

Figure 4 **SPRING SHANK ASSEMBLY**

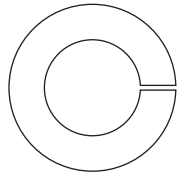
4a. Assemble Spring Shanks (6) to Frame Angles (4) using 1/2" x 1-1/2" Bolts (10), Special Spacers (21), 1/2" Lockwashers (19), and 1/2" Nuts (15).

Ensure Spring Shanks are set to run straight in the direction of travel.

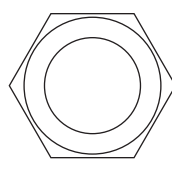
4b. When assembling for in-between row cultivation, the extra Spring Shank will be mounted in the center of the cultivator, using the same hole and hardware used to fasten Tie Bars (5) to Pull Bar (3), reference location (A) in illustration.



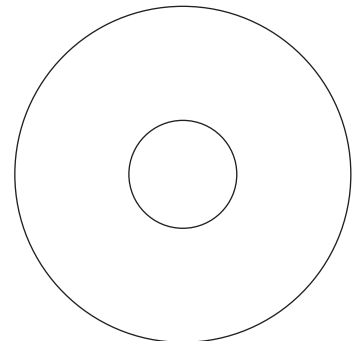
(10)
Bolt, 1/2" x 1-1/2"
Qty. 6



(19)
Lockwasher, 1/2"
Qty. 6



(15)
Nut, 1/2"
Qty. 6



(21)
Special Spacer
Qty. 6 (or 7)

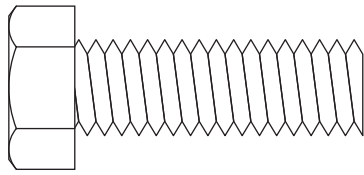
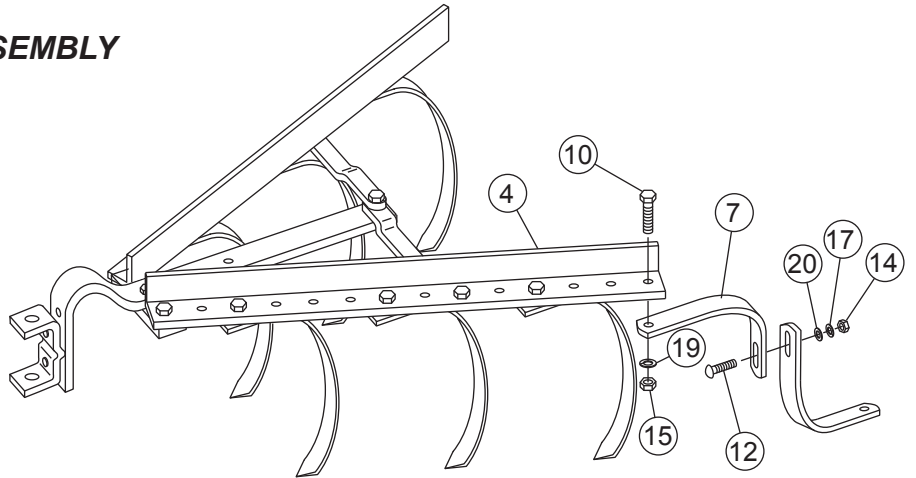
ASSEMBLY

Figure 5

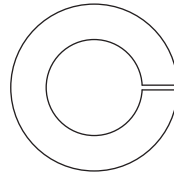
GAUGE SHOE ASSEMBLY

5a. Assemble one of the Gauge Shoe halves (7) to Frame Angle (4) using 1/2" x 1-1/2" Bolts (10), 1/2" Lockwashers (19), and 1/2" Nuts (15). Note slot orientation in illustration.

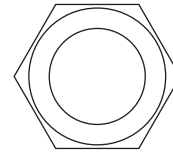
5b. Attach Gauge Shoe halves (7) together using 3/8" x 1" Carriage Bolt (12), 3/8" Washer (20), 3/8" Lockwasher (17), and 3/8" Nut (14).



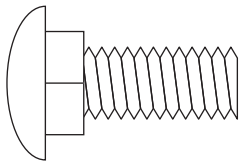
(10)
Bolt, 1/2" x 1-1/2"
Qty. 2



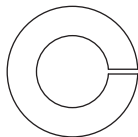
(19)
Lockwasher, 1/2"
Qty. 2



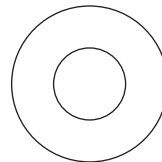
(15)
Nut, 1/2"
Qty. 2



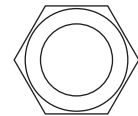
(12)
Carriage Bolt, 3/8" x 1"
Qty. 2



(20)
Lockwasher, 3/8"
Qty. 2



(17)
Flat Washer, 3/8"
Qty. 2



(14)
Nut, 3/8"
Qty. 2

Figure 6

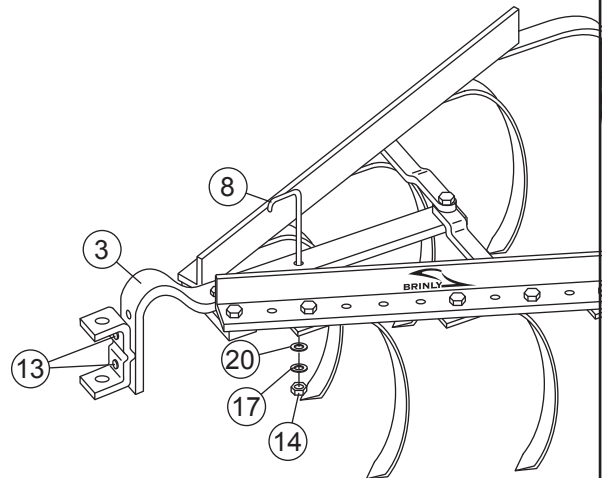
MOUNTING ADJUSTMENT

- 6a. Attach Cultivator to your Tractor Hitch in lowered position.
- 6b. Adjust Hitch Bracket on Cultivator to obtain desired depth of Cultivator.
- 6c. Cultivator should be parallel to ground. Adjust Plow Bolts (13) to level Cultivator Shanks. Pull Bar (3) may be inverted to increase depth of cultivation.
- 6d. Adjust Gauge Shoes (7) to maintain depth. **Tighten all bolts securely.**

▲ IMPORTANT

Cultivator must be stabilized to eliminate "side to side" movement when cultivating crops. This is an adjustment on the Sleeve Hitch, refer to Sleeve Hitch Manual for instructions.

6e. If additional weight is needed (see page 3) concrete block should be attached to the center of the Pull Bar (3) with the Rod Tie Down (8), 3/8" Plain Washer (20), 3/8" Lockwasher (17), and 3/8" Nut (14).



MANUFACTURER'S LIMITED WARRANTY FOR



Pull Behind Accessories

The limited warranty set forth below is given by Brinly-Hardy Company with respect to new merchandise purchased and used in the United States, its possessions and territories.

Brinly-Hardy Company warrants the products listed below against defects in material and workmanship, and will at its option, repair or replace, free of charge, any part found to be defective in materials or workmanship. This limited warranty shall only apply if this product has been assembled, operated, and maintained in accordance with the Operator's manual furnished with the product, and has not been subject to misuse, abuse, commercial use, neglect, accident, improper maintenance, alteration, vandalism, theft, fire, water, or damage because of other peril or natural disaster.

Normal Wear Parts or components thereof are subject to separate terms as follows: All normal wear parts or component failures will be covered on the product for a period of 90 days.

Parts found to be defective within the warranty period will be replaced at our expense. Our obligation under this warranty is expressly limited to the replacement or repair, at our option, of parts found to be defective in material and workmanship.

HOW TO OBTAIN SERVICE: Warranty parts replacements are available, **ONLY WITH PROOF OF PURCHASE**, through our Pull Behind Accessories Customer Service Department. Call 877-728-8224.

This limited warranty does not provide coverage in the following cases:

- Routine maintenance items such as lubricants and filters.
- Normal deterioration of the exterior finish due to use or exposure.
- Transportation and/or labor charges.
- The warranty does not include commercial and/or rental use.

No implied warranty, including any implied warranty of merchantability of fitness for a particular purpose, applies after the applicable period of express written warranty above as to the part as identified below.

No other express warranty whether written or oral, except as mentioned above, given by any person or entity, including a dealer or retailer, with respect to any product, shall bind Brinly-Hardy Co. During the period of the warranty, the exclusive remedy is repair or replacement of the product as set forth above.

The provisions as set forth in this warranty provide the sole and exclusive remedy arising from the sale. Brinly-Hardy Co. shall not be liable for incidental or consequential loss or damage including, without limitation, expenses incurred for substitute or replacement lawn care services or for rental expenses to temporarily replace a warranted product.

Some states do not allow the exclusion or limitation of incidental or consequential damages, or limitations on how long an implied warranty lasts, so the above exclusions or limitations may not apply to you.

During the warranty period, the exclusive remedy is replacement of the part. In no event shall recovery of any kind be greater than the amount of the purchase price of the product sold. Alteration of safety features of the product shall void this warranty. You assume the risk and liability for loss, damage, or injury to you and your property and/or to others and their property arising out of the misuse or inability to use this product.

This limited warranty shall not extend to anyone other than the original purchaser or to the person for whom it was purchased as a gift.

HOW STATE LAW RELATES TO THIS WARRANTY: This limited warranty gives you specific legal rights, and you may also have other rights which vary from state to state.

IMPORTANT: The Warranty period stated below begins with the **PROOF OF PURCHASE**. Without the proof of purchase, the Warranty period begins from the date of manufacture determined by the serial number manufacturing date.

CULTIVATOR WARRANTY PERIOD:

The warranty period for this cultivator is as follows: Frame parts - 2 Years. Spring Shanks are normal wear items - 90 days.